

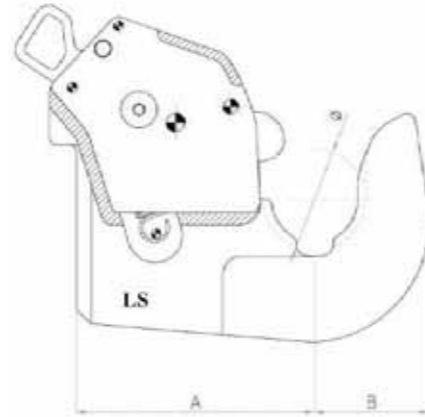
拖拉机悬挂装置部件 Linkageparts & Spares

快速挂钩 Fast-fitting hooks

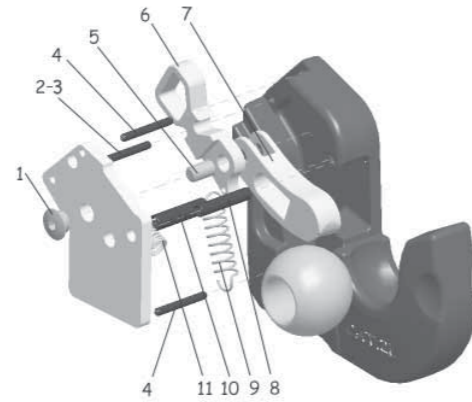


农业机械零配件

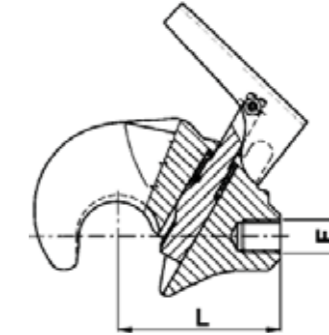
SPARE PARTS & ACCESSORIES FOR AGRICULTURAL MACHINE

下连杆挂钩
 LOWER HOOK


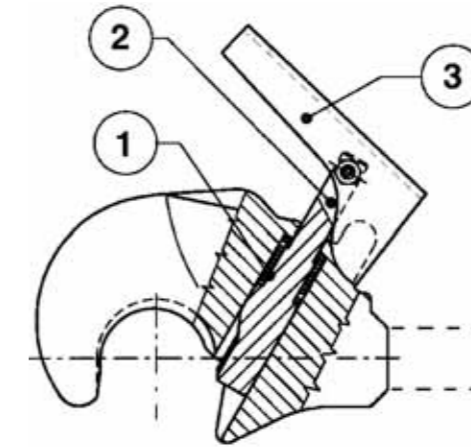
Art./Ref.	Cat.	Ø mm	A mm	B mm	Spessore mm/ Thickness mm
OGRI2003	2	56	130	63	40
OGRI3003	3/2°	64	135	70	41

 下连杆挂钩部件
 SPARE PARTS FOR LOWER HOOK


Art./Ref.	Pos.	Note/Notes
2VITE	1	Vite sicurezza aggancio Joint safety screw
1SE04408748	2	Spina pesante 4 x 40mm/Spring-type straight pin heavy duty ISO 8748
1SE05401333	3	Spina 5 x 40 mm/Spring-type straight pin light duty ISO 13337
1SE0540481	4	Spina 5 x 40 mm/Spring-type straight pin heavy duty ISO 8752
1SE1018707	5	Spina cilindrica 10 x 18 mm/ Parallel pin ISO 2338
2MANGRI	6	Maniglia Handle
2OTTGRI	7	Otturatore gancio Hook breech block
1SE0840875	8	Spina 8 x 40 mm/Coiled pin ISO 8750
1MOGRI2003A	9	Molla per gancio Hook spring
1SE1040875	10	Spina 10 x 40 mm/Coiled pin ISO 8750
1MOGRI2003	11	Molla per otturatore Breech block spring

 上连杆挂钩
 THREADED TOP LINK AUTOMATIC HITCH


Art./Ref.	Art. LS/Ref. LS	Cat.	Ø mm	F mm	L mm
05266	05266	2 ^a	50	M 20x1,5	97
08063	08063	3 ^a	60	M 27x2	117

 上连杆快速挂钩部件
 SPARE PARTS FOR TOP LINK AUTOMATIC HITCH


Art./Ref.	Art. LS/Ref. LS	Pos.	Note/Notes
1MO-GR	2 ^a	1	Molla otturatore/Shutter spring
9PE-GR-30	2 ^a	2	Otturatore/Shutter
9MANGR23	2 ^a /3 ^a	3	Maniglia/Handle
1MOGR23	3 ^a	1	Molla otturatore/Shutter spring
9PEGR3CA	3 ^a	2	Otturatore/Shutter

三点悬挂总成

机械式和液压式上连杆及侧臂

链和机械式稳定部件

销、栓

农用球头

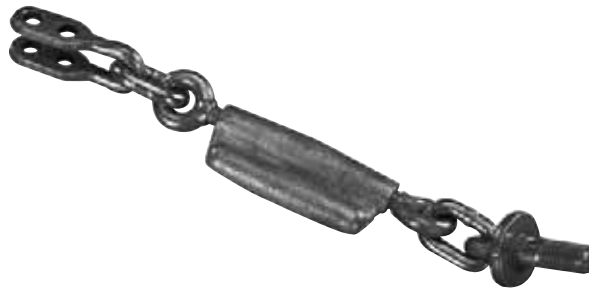
Complete 3-point linkage

Mechanic & hydraulic toplinks, side arms

Chain & mechanical stabilisers

Pins, cotters & lynch pins

Joint ball ends for agricultur & industrial use



埃马 (上海) 商贸有限公司

AMA (Shanghai) Trading Co., Ltd.

地址：上海市陕西北路1438号财富时代大厦2019室

电话：+86 21 5178 0125 / 158 2140 8879

传真：+86 21 51780126

网站：www.ama.it www.ama-shanghai.com

电邮：ama-shanghai@ama.it daniel.wang@ama.it